

P215PR

Direct-Mount Single Phase Controller

These Direct Mount pressure actuated condenser fan speed controllers are designed for speed variation of single-phase motors.

Head pressure control of a refrigeration system, through speed variation of the fan on an air-cooled condenser, results in optimum performance throughout the year.

A pressure actuated device, gives the most direct and fastest response to pressure variations in the refrigerant system. The controller varies the supply voltage to the motor from 30% to at least 95% over the proportional band using the phase cutting principle.

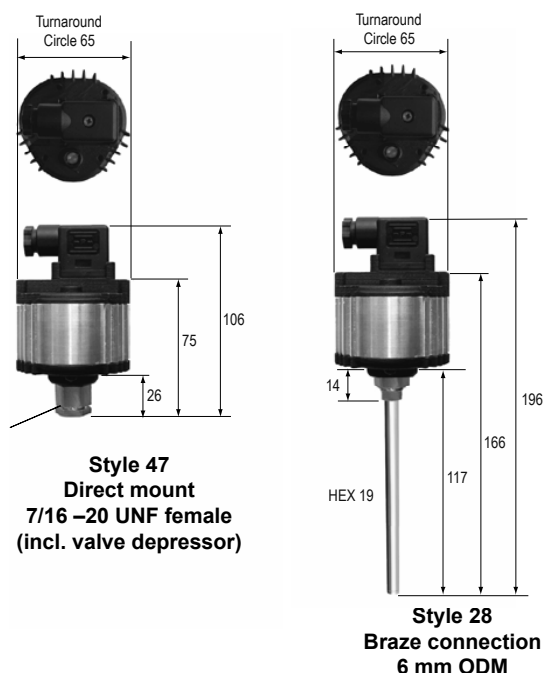
This provides speed variation of permanent split capacitor or shaded pole motors that do not draw more than 4 A (rms) full load current.

Cut-off models (fan stops at low pressure) as well as minimum speed models (fan keeps running at 30%) are available.

The controllers can be used in non-corrosive refrigerant systems.

Features

- Condenser pressure control by fan speed variation
- Pressure input
- Direct mount
- Setpoint screw on top
- Built-in suppression filter
- IP65
- Compact design
- Attractive styling
- Quick connector plug included



Dimensions in mm

Ordering Codes	Range (bar)	Element Style	Setpoint (bar)	Prop. band (bar)	Supply Voltage 50/60 Hz	Rating	Controller Mode	Extra Features
P215PR-9200	10 to 25	47	19	4.5	230 VAC	4 Amp	Cut-off	---
P215PR-9202	22 to 42		26	5.5				
P215PR-9800	10 to 25	28	19	4.5				
P215PR-9230			26	5.5				
P215PR-9232	22 to 42	47	26	5.5				
P215PR-9250	10 to 25		19	4.5				
								Bulk Pack
								Bulk Pack, 2 m cable connector incl.

Note

For a 4 Amp rating and UL approval please contact your sales representative.