

HORIZONTAL LIQUID RECEIVERS

Yatay Likit Tankları



Note Inlet and outlet are designed as rotalock connections on standard products. There is a 1/2"NPT connection for safety valve. Additional connections and accessories may be provided.

• LLS connections are used on the body (under sight glass) after dia. 450mm.

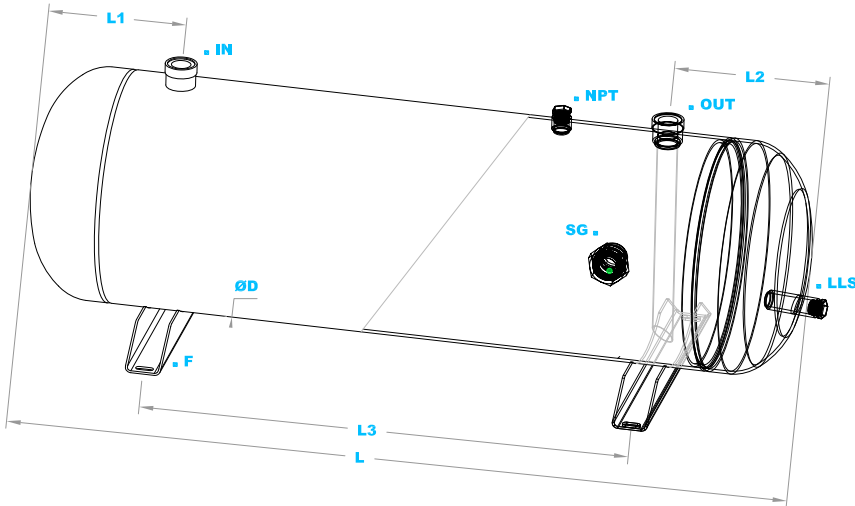
Not Standart likit tanklarında giriş ve çıkış rotalok bağlantısı olarak tasarlanmıştır. Emniyet ventili için 1/2"NPT bağlantısı bulunmaktadır. İlave bağlantı ve aksesuarlar tedarik edilebilir.

• 450mm çap ve sonrası modellerde LLS bağlantısı gövde kısmında (gözetleme camı altında) kullanılmaktadır.



OPTIONAL / OPSİYONEL

Sight Glass [SG]
Gözetleme Camı [SG]
Safety Valve
Emniyet Ventili
Rotalock Valve
Rotalok Vana
Liquid Level Sensor & LLS
Likit Seviye Sensörü ve LLS
Extra Connections
Ekstra Bağlantılar



LR-HLR-33B-series

Working Pressure [PS] **33 Bar**

Çalışma Basıncı

Min./Max. Allowable Temperature [TS] **-10° / 120°C**

Min./Max. İzin Verilen Sıcaklık

General Tolerance **± 5**

Genel Tolerans

Epoxy Coating **RAL 5009**

Epoksi Boya

Available Fluids **HCFC, HFC, R600A, R290, NH3**

Kullanılabilir Akışkanlar

Pressure Equipment Directive 2014/68/EU [PED]

Basıncılı Kaplar Direktifi 2014/68/EU [PED]

Volume [Lt]	Model	Ø D [mm]	L [mm]	L1 [mm]	L2 [mm]	L3 [mm]	Support [F]	Inlet [Inch]	Outlet [Inch]	NPT [Inch]	Kg Of Capacity				
											R22	R134a	R407C	R404A	R410A
4	LR-HLR-33B-001	Ø 140	310	90	90	130	H140	1"	1"	1/2"	4,4	4,4	4,2	3,8	3,9
5	LR-HLR-33B-002	Ø 140	380	90	90	200	H140	1"	1"	1/2"	5,4	5,5	5,2	4,8	4,9
6	LR-HLR-33B-003	Ø 140	460	90	90	280	H140	1"	1"	1/2"	6,5	6,6	6,3	5,8	5,8
	LR-HLR-33B-004	Ø 165	340	105	105	130	H165								
7	LR-HLR-33B-005	Ø 165	380	105	105	170	H165	1"	1"	1/2"	7,6	7,7	7,3	6,7	6,8
8	LR-HLR-33B-006	Ø 165	450	105	105	240	H165	1"	1"	1/2"	8,7	8,8	8,3	7,7	7,8
9	LR-HLR-33B-007	Ø 165	500	120	120	260	H165	1"	1"	1/2"	9,8	9,9	9,4	8,6	8,8
10	LR-HLR-33B-008	Ø 165	540	120	120	300	H165	1"	1"	1/2"	10,9	11,0	10,4	9,6	9,7
12	LR-HLR-33B-009	Ø 165	650	120	120	410	H165	1"	1"	1/2"	13,1	13,2	12,5	11,5	12,7
	LR-HLR-33B-010	Ø 165	760	120	120	520	H165								
14	LR-HLR-33B-011	Ø 219	430	120	120	190	H219	1"	1"	1/2"	15,2	15,4	14,6	13,4	13,6
	LR-HLR-33B-012	Ø 165	860	120	120	620	H165								
	LR-HLR-33B-013	Ø 219	490	120	120	250	H219								
16	LR-HLR-33B-014	Ø 165	980	120	120	740	H165	1"	1"	1/2"	19,6	19,8	18,8	17,3	17,5
	LR-HLR-33B-015	Ø 219	550	150	150	250	H219								
18	LR-HLR-33B-016	Ø 219	620	150	150	320	H219	1 1/4"	1 1/4"	1/2"	21,8	22,1	20,9	19,2	19,5

At +20°C Liquid temperature, %90 receiver volume.
+20°C Likit sıcaklığı, %90 tank hacmi esas alınmıştır.

HORIZONTAL LIQUID RECEIVERS

Yatay Likit Tankları



Volume [Lt]	Model	Ø D [mm]	L [mm]	L1 [mm]	L2 [mm]	L3 [mm]	Support [F]	Inlet [Inch]	Outlet [Inch]	NPT [Inch]	Kg Of Capacity				
											R22	R134a	R407C	R404A	R410A
25	LR-HLR-33B-017	Ø 219	760	150	150	460	H219	1 1/4"	1 1/4"	1/2"	27,2	27,6	26,1	24,0	24,4
30	LR-HLR-33B-018	Ø 219	900	150	150	600	H219	1 1/4"	1 1/4"	1/2"	32,7	33,1	31,3	28,8	29,2
	LR-HLR-33B-019	Ø 273	580	160	160	260	H273								
35	LR-HLR-33B-020	Ø 219	1050	150	150	750	H219	1 1/4"	1 1/4"	1/2"	38,1	38,6	36,5	33,6	34,1
	LR-HLR-33B-021	Ø 273	680	180	180	320	H273								
40	LR-HLR-33B-022	Ø 219	1200	150	150	900	H219	1 3/4"	1 3/4"	1/2"	43,6	44,1	41,7	38,4	39,0
	LR-HLR-33B-023	Ø 273	780	180	180	420	H273								
45	LR-HLR-33B-024	Ø 324	550	190	190	170	H324	1 3/4"	1 3/4"	1/2"	49,0	49,6	46,9	43,2	43,9
	LR-HLR-33B-025	Ø 219	1350	150	150	1050	H219								
50	LR-HLR-33B-026	Ø 273	870	180	180	510	H273	1 3/4"	1 3/4"	1/2"	54,4	55,1	52,1	48,0	48,7
	LR-HLR-33B-027	Ø 324	630	190	190	250	H324								
60	LR-HLR-33B-028	Ø 219	1500	150	150	1200	H219	1 3/4"	1 3/4"	1/2"	65,3	66,2	62,6	57,6	58,5
	LR-HLR-33B-029	Ø 273	970	180	180	610	H273								
70	LR-HLR-33B-030	Ø 324	700	200	200	300	H324	1 3/4"	1 3/4"	1/2"	76,2	77,2	73,0	67,2	68,2
	LR-HLR-33B-031	Ø 273	1160	180	180	800	H273								
80	LR-HLR-33B-032	Ø 324	840	200	200	440	H324	1 3/4"	1 3/4"	1/2"	87,1	88,2	83,4	76,8	78,0
	LR-HLR-33B-033	Ø 273	1350	200	200	950	H273								
90	LR-HLR-33B-034	Ø 324	960	200	200	560	H324	1 3/4"	1 3/4"	1/2"	98,0	99,2	93,9	86,4	87,7
	LR-HLR-33B-035	Ø 273	1540	200	200	1140	H273								
100	LR-HLR-33B-036	Ø 324	1100	200	200	700	H324	2 1/4"	2 1/4"	1/2"	108,9	110,3	104,3	96,0	97,5
	LR-HLR-33B-037	Ø 273	1750	250	250	1250	H273								
125	LR-HLR-33B-038	Ø 324	1250	220	220	810	H324	2 1/4"	2 1/4"	1/2"	136,1	137,8	130,4	120,0	121,8
	LR-HLR-33B-039	Ø 273	1930	250	250	1430	H273								
150	LR-HLR-33B-040	Ø 324	1400	220	220	960	H324	2 1/4"	2 1/4"	1/2"	163,3	165,4	156,4	144,0	146,2
	LR-HLR-33B-041	Ø 406	900	250	250	400	H406								
175	LR-HLR-33B-042	Ø 273	2440	250	250	1940	H273	2 1/4"	2 1/4"	1/2"	190,6	193,0	182,5	168,1	170,6
	LR-HLR-33B-043	Ø 324	1700	250	250	1200	H324								
200	LR-HLR-33B-044	Ø 406	1110	250	250	610	H406	2 1/4"	2 1/4"	1/2"	217,8	220,6	208,6	192,1	194,9
	LR-HLR-33B-045	Ø 324	2100	250	250	1600	H324								
225	LR-HLR-33B-046	Ø 406	1330	250	250	830	H406	2 1/4"	2 1/4"	1/2"	245,0	248,1	234,6	216,1	219,3
	LR-HLR-33B-047	Ø 324	2400	250	250	1900	H324								
250	LR-HLR-33B-048	Ø 406	1550	250	250	1050	H406	2 1/4"	2 1/4"	1/2"	272,2	275,6	260,7	240,1	243,7
	LR-HLR-33B-049	Ø 450	1260	300	300	660	H450								
300	LR-HLR-33B-050	Ø 324	2750	250	250	2250	H324	2 1/4"	2 1/4"	1/2"	326,7	330,8	312,8	288,1	292,4
	LR-HLR-33B-051	Ø 406	1770	300	300	1170	H406								
350	LR-HLR-33B-052	Ø 450	1430	300	300	830	H450	2 1/4"	2 1/4"	1/2"	381,1	386,0	365,0	336,1	341,1
	LR-HLR-33B-053	Ø 406	2000	300	300	1400	H406								
400	LR-HLR-33B-054	Ø 450	1610	300	300	1010	H450	2 1/4"	2 1/4"	1/2"	435,6	441,1	417,1	384,1	389,9
	LR-HLR-33B-055	Ø 406	2230	300	300	1630	H406								
450	LR-HLR-33B-056	Ø 450	1760	300	300	1160	H450	2 1/4"	2 1/4"	1/2"	490,0	496,2	469,3	432,1	436,6
	LR-HLR-33B-057	Ø 508	1440	300	300	840	H508								
500	LR-HLR-33B-058	Ø 406	2690	300	300	2090	H406	2 1/4"	2 1/4"	1/2"	544,5	551,3	521,6	480,2	487,4
	LR-HLR-33B-059	Ø 450	2130	300	300	1530	H450								
550	LR-HLR-33B-060	Ø 508	1740	300	300	1140	H508	2 1/4"	2 1/4"	1/2"	599,0	606,4	573,7	528,2	536,1
	LR-HLR-33B-061	Ø 508	1990	300	300	1390	H508								
550	LR-HLR-33B-062	Ø 600	1390	400	400	590	H600	2 1/4"	2 1/4"	1/2"	599,0	606,4	573,7	528,2	536,1
	LR-HLR-33B-063	Ø 508	2290	350	350	1590	H508								
550	LR-HLR-33B-064	Ø 600	1600	400	400	800	H600	2 1/4"	2 1/4"	1/2"	599,0	606,4	573,7	528,2	536,1
	LR-HLR-33B-065	Ø 508	2550	350	350	1850	H508								
550	LR-HLR-33B-066	Ø 600	1790	400	400	990	H600	2 1/4"	2 1/4"	1/2"	599,0	606,4	573,7	528,2	536,1
	LR-HLR-33B-067	Ø 508	2690	350	350	1990	H508								
550	LR-HLR-33B-068	Ø 600	1990	400	400	1190	H600	2 1/4"	2 1/4"	1/2"	599,0	606,4	573,7	528,2	536,1
	LR-HLR-33B-069	Ø 600	2190	400	400	1390	H600								

At +20°C Liquid temperature, %90 receiver volume.
+20°C Likit sıcaklığı, %90 tank hacmi esas alınmıştır.